

1/4M TF-F 42-16-010 ABS



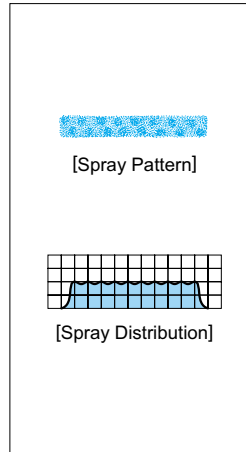
1/4M TF-F 42-16-010 S304



1/4M TF-R 8-010 PP-IN



1/4M TF-R 8-010 S303



### [Features]

- Take in surrounding air and blow double volume of air supplied. Ideal for blow-off drying.
- Uniform and efficient air blow with lower air consumption.
- Designed to have minimal noise level.
- Available in Flat type and Round type, Stainless steel and Plastic.

### [Applications]

- Blow-off drying
- Cooling
- Blowing off dust
- Cleaning

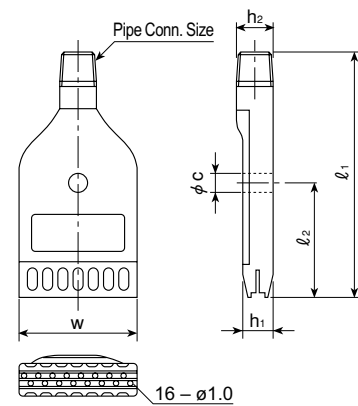
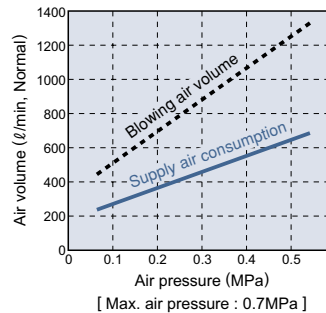
## TAIFUJet®-series (Flat type / Plastic)

TAIFUJet®-series (Flat type)	
Material	<ul style="list-style-type: none"> <li>• ABS (Acrylonitrile butadiene styrene)</li> <li>• Optional material : PPS (Polyphenylene sulfide)</li> </ul>

Series	Pipe Conn. Size	Dimensions(mm)						Mass (g)
		l <sub>1</sub>	l <sub>2</sub>	w	h <sub>1</sub>	h <sub>2</sub>	φ c	
1/4M TF-F 42-16-010 ABS	1/4M	90	42	42	11	14	7	30

[Note] Appearance and dimensions may be slightly changed depending on materials and nozzle codes.

1/4M TF-F 42-16-010 ABS



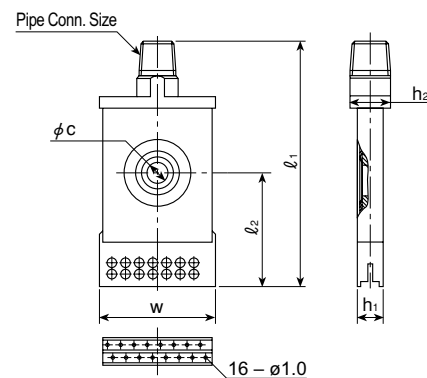
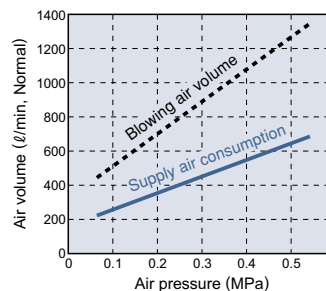
## TAIFUJet®-series (Flat type / Stainless-steel)

TAIFUJet®-series (Flat type)	
Material	• SUS304 (Stainless steel 304)

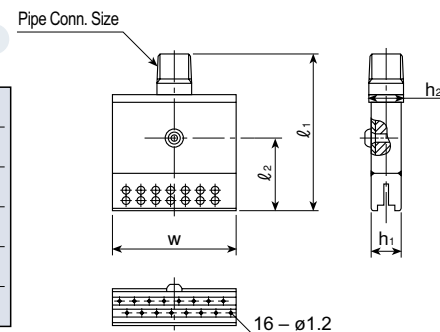
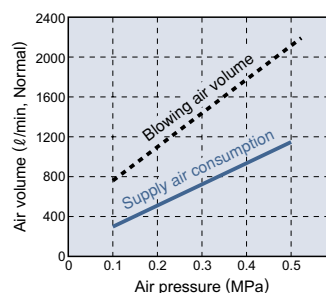
Series	Pipe Conn. Size	Dimensions(mm)						Mass (g)
		l <sub>1</sub>	l <sub>2</sub>	w	h <sub>1</sub>	h <sub>2</sub>	φ c	
1/4M TF-F 42-16-010 S304	1/4M	90	42	42	9	14	8	140
1/4M TF-F 50-16-012 S304	1/4M	65	30	50	12	14	—	140

[Note] Appearance and dimensions may be slightly changed depending on materials and nozzle codes.

1/4M TF-F 42-16-010 S304



1/4M TF-F 50-16-012 S304

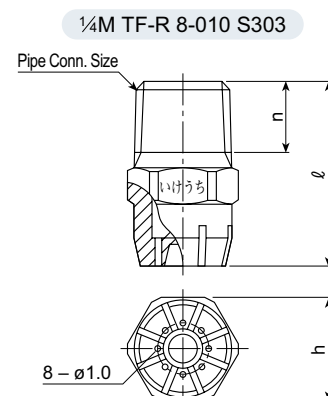
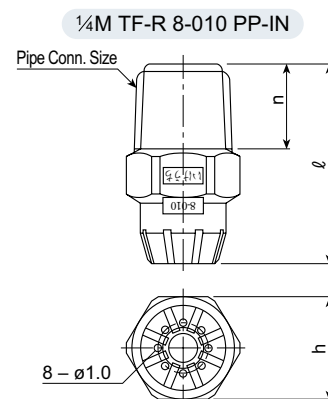
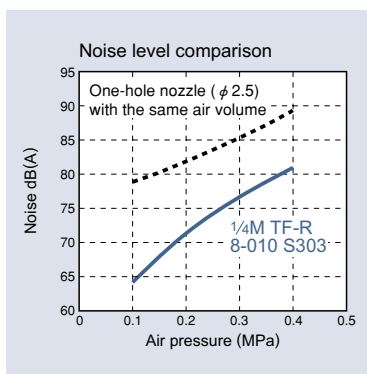
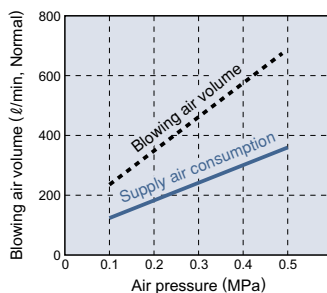


**TAIFUJet®-series (Round type)**

TAIFUJet®-series (Round type)	
Material	• PP (polypropylene), SUS303 (Stainless steel 303)

Series	Pipe Conn. Size	Dimensions(mm)			Mass (g)
		ℓ	h	n	
1/4M TF-R 8-010 PP-IN	1/4M	27	14	11.5	2
1/4M TF-R 8-010 S303	1/4M	25	14	9.5	15

[Note] Appearance and dimensions may be slightly changed depending on materials and nozzle codes.



**Special Products**



Please inquire with us for details.

**How to order**

Please inquire or order for a specific nozzle on this coding system.

① Plastic air nozzle, Flat type

1/4M TF-F 42 – 16 – 010 ABS

② Stainless steel air nozzle, Flat type

1/4M TF-F 42 – 16 – 010 S304  
 1/4M TF-F 50 – 16 – 012 S304

③ Plastic air nozzle, Round type

1/4M TF-R 8 – 010 PP-IN

④ Stainless steel air nozzle, Round type

1/4M TF-R 8 – 010 S303